



Paulmann

### Safety Instructions

0, 1, 2, 3, 4, 6, 7, 9, 11,  
15, 18, 26, 27



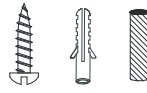
Info

[www.paulmann.com](http://www.paulmann.com)

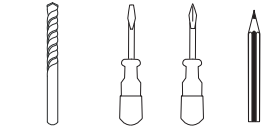
Paulmann Licht GmbH  
Quezinger Feld 2  
31832 Springe  
Germany

[www.paulmann.com](http://www.paulmann.com)

Art.-Nr.: **50388**  
(+MA 173) PIN 03/16



incl.



Ø 6mm



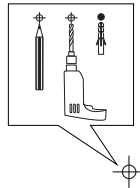
**A**



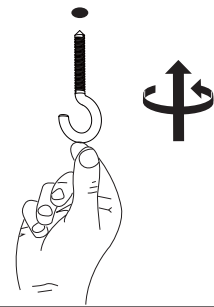
Safety  
Instructions  
Nr. 0



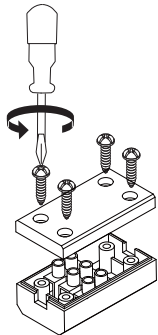
**B**



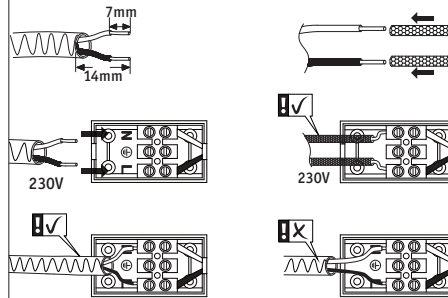
Nr. 0,1,2



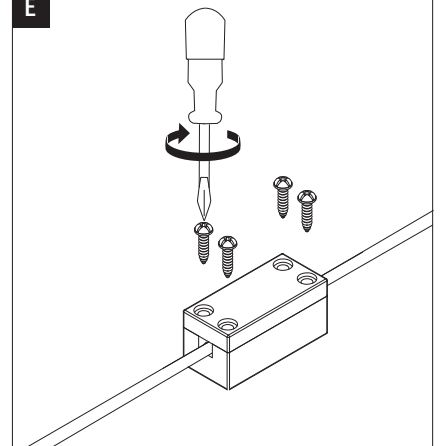
**C**



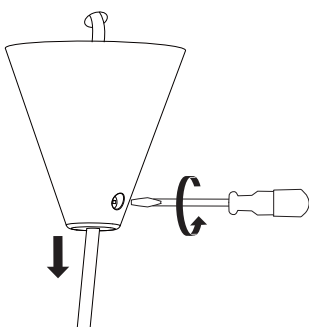
**D**



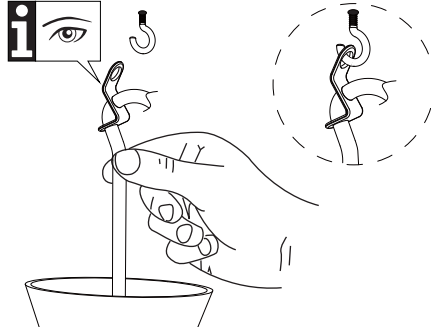
**E**



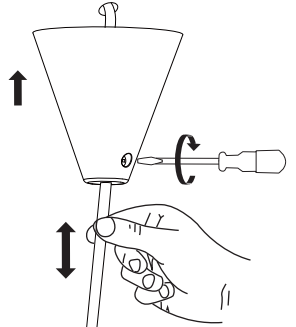
**F**



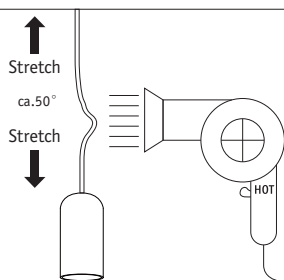
**G**



**H**



**I**



**J**

Not Include  
Bulb

