

Safety Instructions

1, 2, 3, 4, 5, 6, 7, 10, 12, 13,
14, 15, 16, 17, 18, 19, 20,
22, 24, 28, 33, 34



Info Hotline



+49 (0) 5041 998 389
Mon. - Do. 7⁰⁰ - 20⁰⁰
Fr. 7⁰⁰ - 17⁰⁰



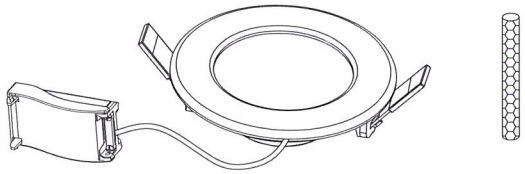
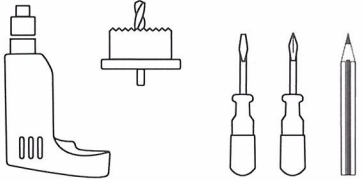


www.paulmann.com/...

Paulmann Licht GmbH
Quezinger Feld 2
31832 Springe
Germany

www.paulmann.com

Art.-Nr.: **920.60**
920.63
920.72
920.75
(+MA 326) PIM 10/16

CE

1x Incl. 2x

