



Paulmann

IP44



Info

www.paulmann.com

Paulmann Licht GmbH
Quezinger Feld 2
31832 Springe
Germany

www.paulmann.com

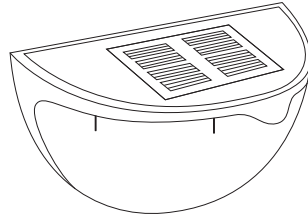
Art.-Nr.: 946.66



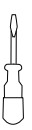
PSO 02/22



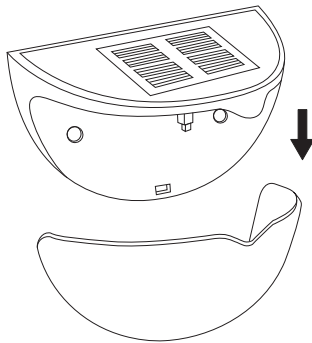
Ni-MH



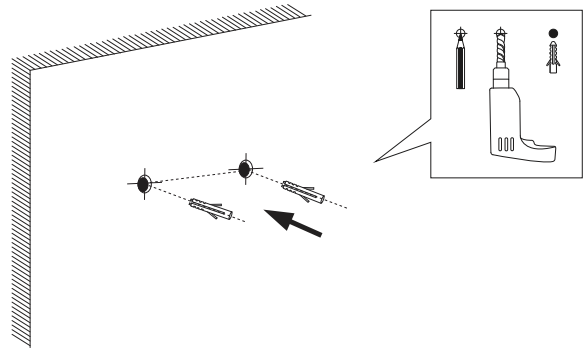
Incl.



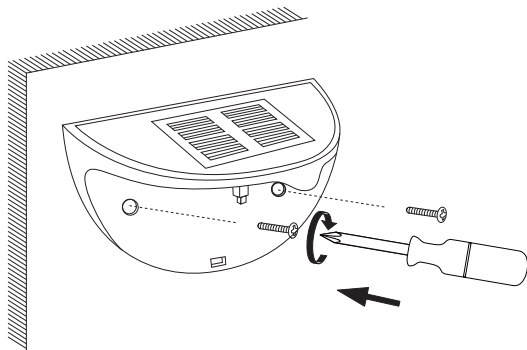
A



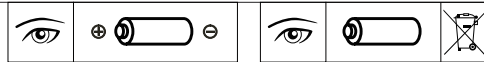
B



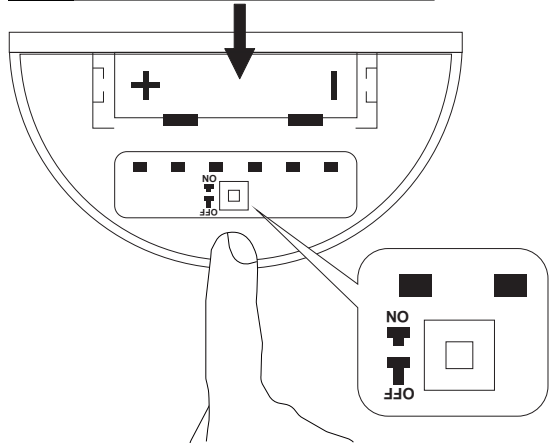
C



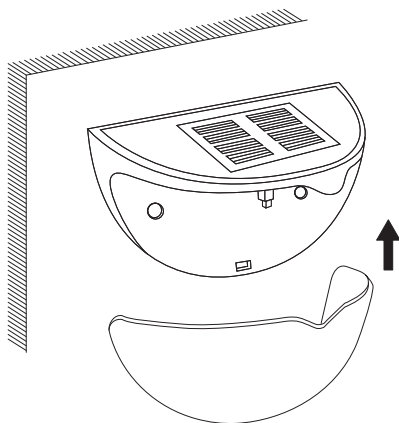
D



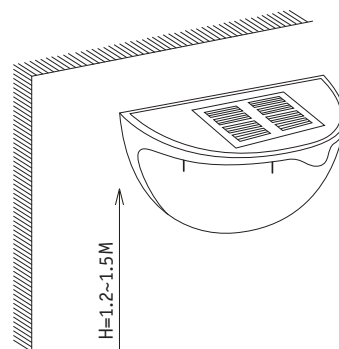
! only use rechargeable
1x Ni-MH Battery (AA 1,2V 600mAh)



E



F



H=1.2~1.5M