



Paulmann

**Safety Instructions**

1,2,3,4,5,6,8,12,16,17,18,  
19,20,22,24,29,30,31,32,  
33,34



Info

[www.paulmann.com](http://www.paulmann.com)

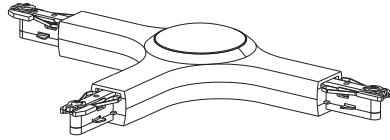
Paulmann Licht GmbH  
Quezinger Feld 2  
31832 Springe  
Germany

[www.paulmann.com](http://www.paulmann.com)

Art.-Nr.: 954.83  
954.84



(+MA326)PH03/17



1x



1x

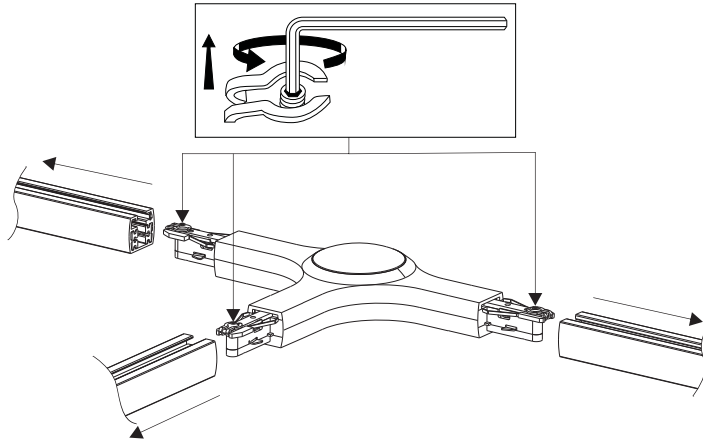
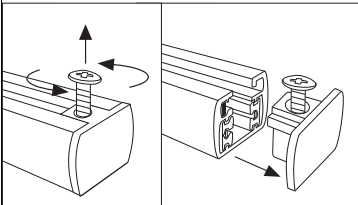


incl

**A**



Safety  
Instructions  
Nr. 3,4,5,6



**B**

