

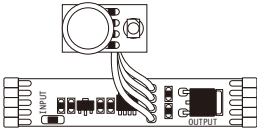






Art.-Nr.: 798.41 

 PEO 04/20

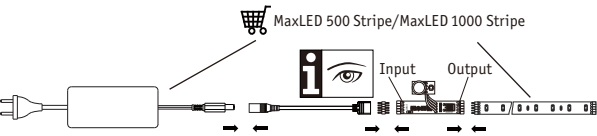
 1x

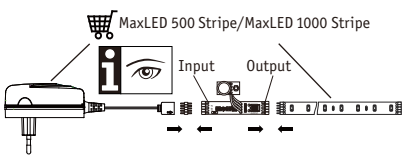
 1x

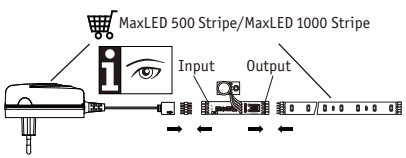


  $\varnothing 12\text{mm}$



A

 MaxLED 500 Stripe/MaxLED 1000 Stripe

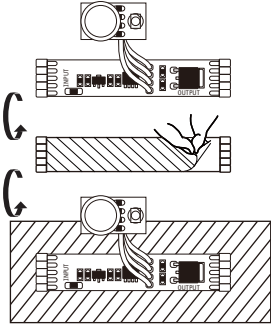
 MaxLED RGB / RGBW Stripe


 MaxLED Tunable White Stripe

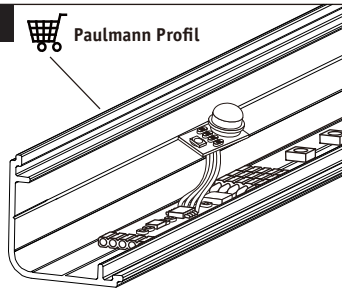
Input Output


B

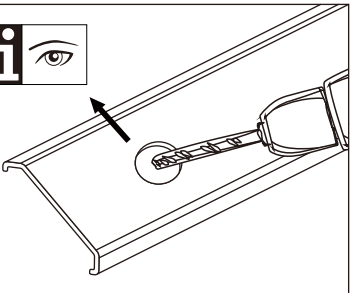


C  Paulmann Profil

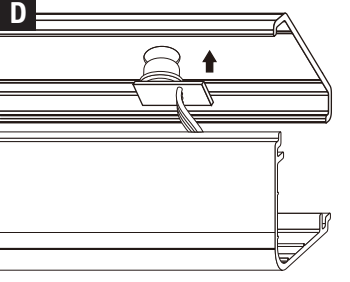


Profile	Profil PIR Sensor
	798.41
Base	X
Floor	X
Delta	12 mm/ center
Square	12 mm/ center
Tube	12 mm/ center
Duo	12 mm/ center
Corner	X
Socle	12 mm/ center
Step	X
Cup	X
Deep	12 mm/ center

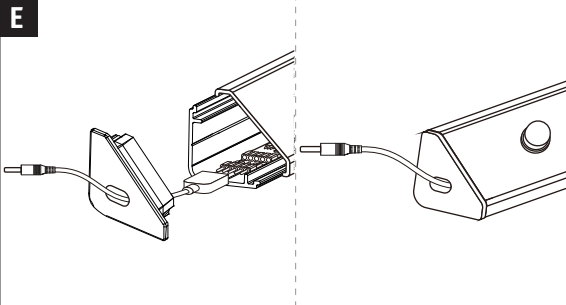




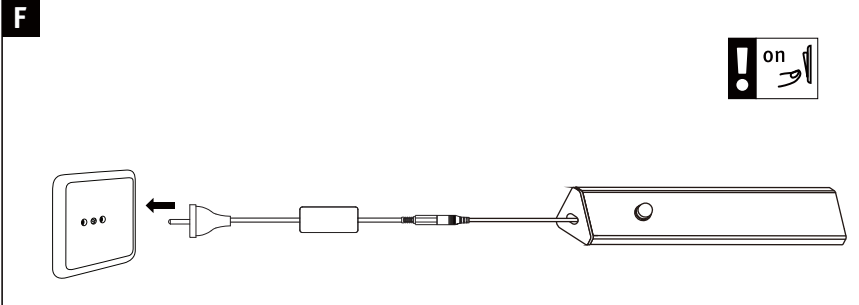
D




E

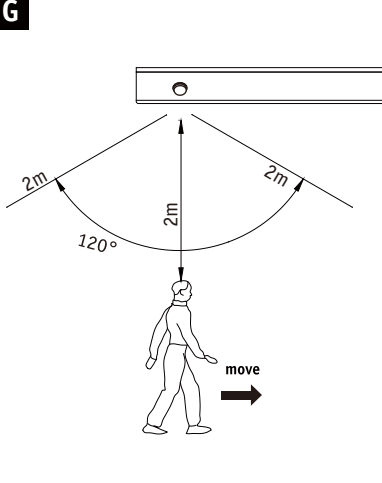



F

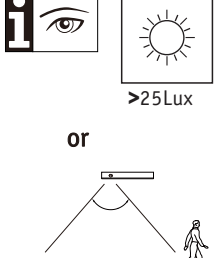


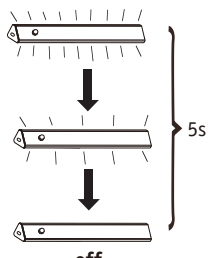


G









off \downarrow 2s

or \downarrow 5s

off

$< 25\text{Lux}$ $> 25\text{Lux}$

$> 30\text{s}$

