

Safety Instructions

1, 2, 3, 4, 5, 6, 7, 10, 12, 13, 14, 15, 16,
17, 18, 19, 20, 21, 22, 24, 28, 33, 34



Info

www.paulmann.com

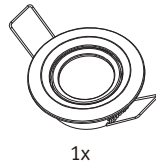
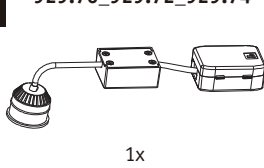
Paulmann Licht GmbH
Quezinger Feld 2
31832 Springe
Germany

www.paulmann.com

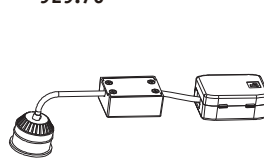
Art.-Nr.: 929.70
929.71
929.72
929.73
929.74
929.75
929.76



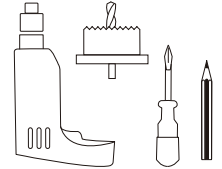
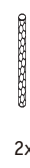
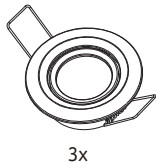
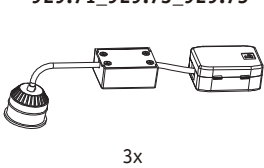
929.70_929.72_929.74



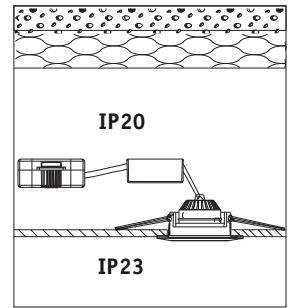
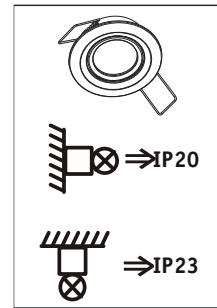
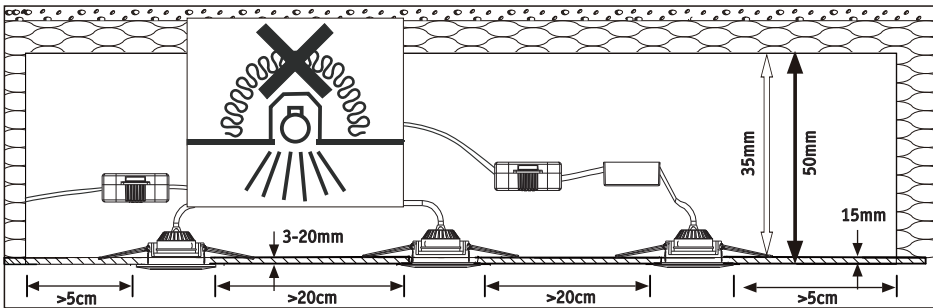
929.76



929.71_929.73_929.75



(+MA326) PSPU 01/20



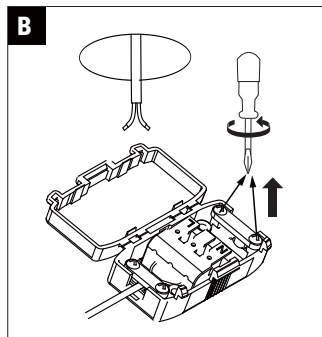
A

Safety Instructions
Nr. 1, 4, 5, 7

off

item number	hole size
929.70_929.71	ø54mm
929.72_929.73	ø54mm
929.74_929.75	ø55mm

ø x mm

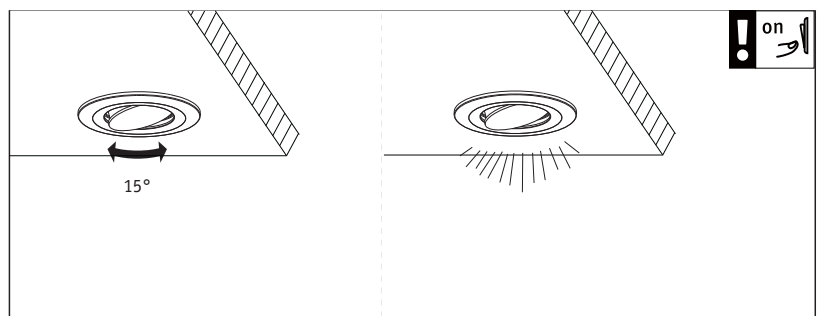
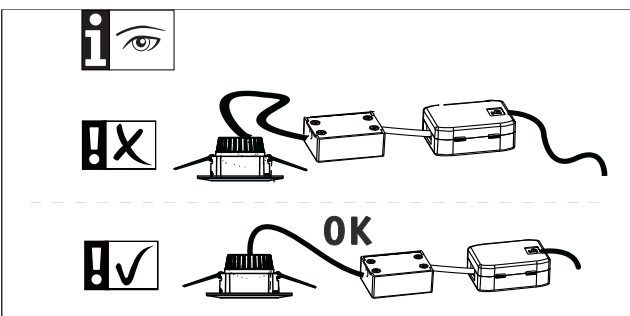
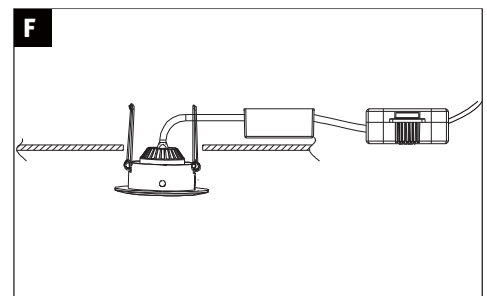
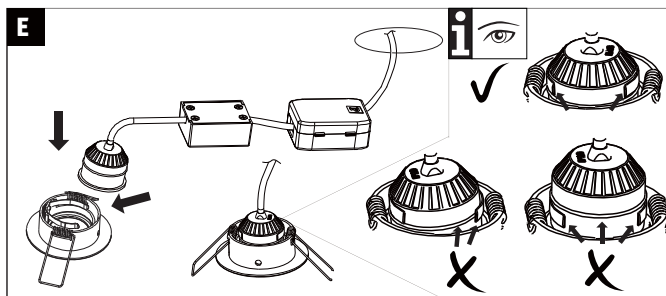
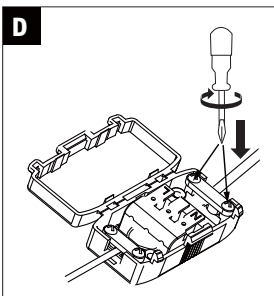


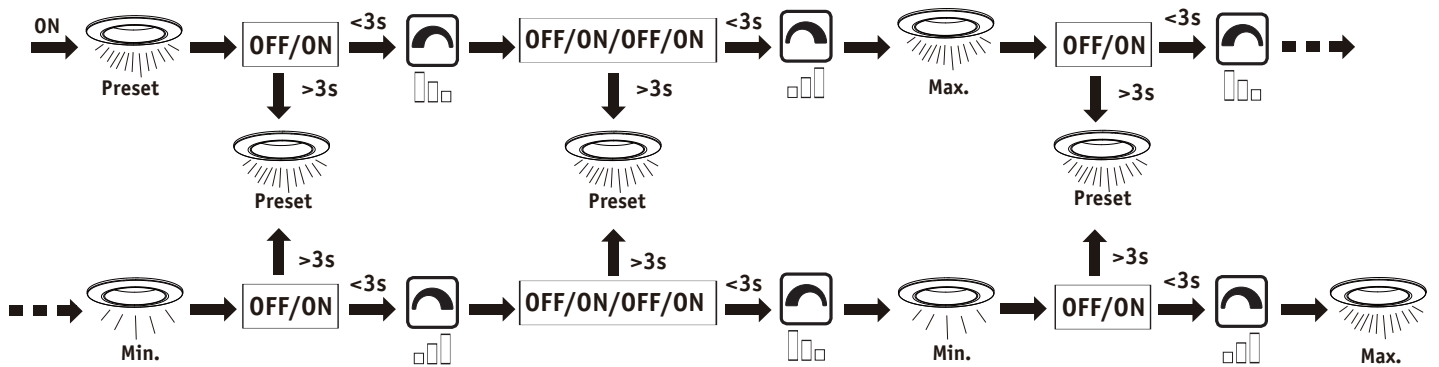
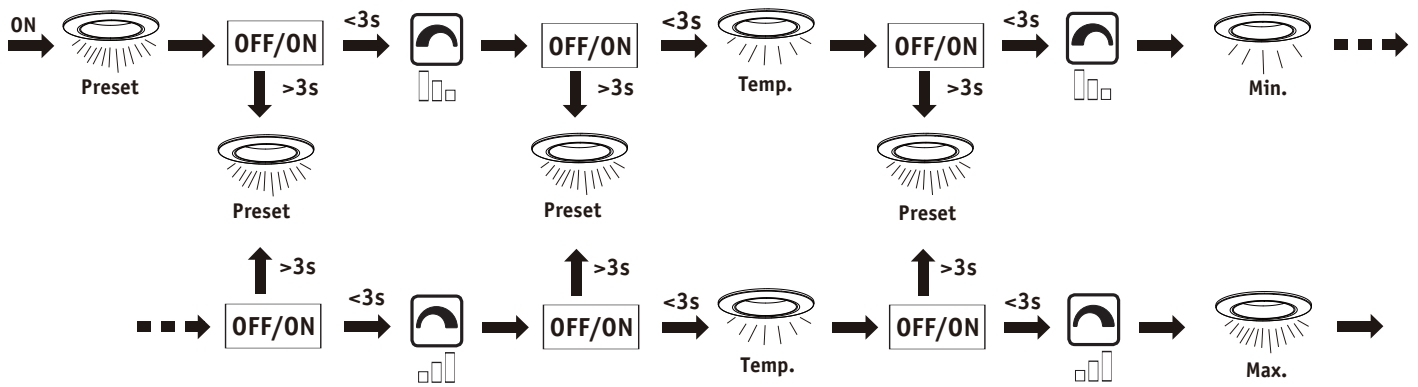
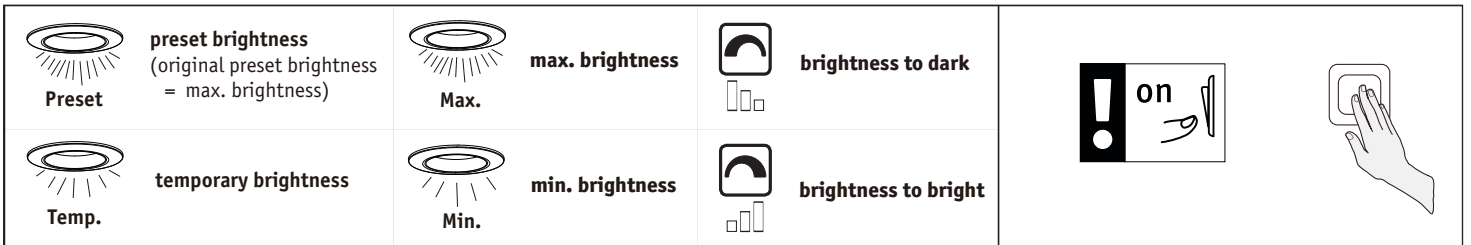
C

a.

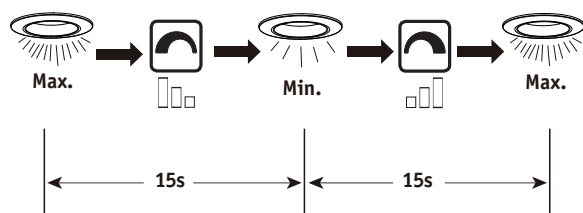
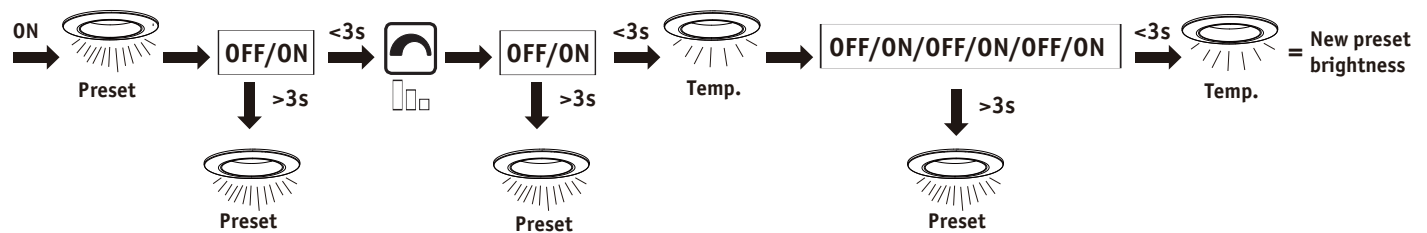
b.

Nr. 3, 4, 5, 6





• Preset-function •



ENERG Y IJA IE IA
енергия · ενεργεια

A++
A+
A+
A
B
C
D
E

5 kWh/1000h

300 lm
4.2 W
230 V

▼ warm white
2700K

CRI/Ra ≥ 80

ON OFF ≥50.000

✓ ≈30x 1.000h

Lumen 60% < 1 s

ø35 mm

390092976